

VWB4900 Vibration Welder

Table Size 72" (1800mm) by 18" (455mm)



FEATURES

- Electromechanical vibration head assembly (200-240Hz)
- Super rigid four rail table slide system
- One piece flame cut bridge (heaviest in class, in the industry)
- Solid state 52hp digital vibration drive
- Hydraulic lift/clamp force max. 7,000 lbs. (31,000 N), 20 gallon (75.6 L) reservoir
- Allen-Bradley® CompactLogix controller with add-on expansion available
- Allen-Bradley Panelview Plus 700 full color touch screen HMI
- Intuitive and interactive comprehensive help menu
- Part parameter monitoring with programmable limits
- Choice of multiple languages for menus
- Automatic tuning
- Programmable amplitude 0.040" to 0.070" (1.0 to 1.8mm)
- Weld by time and weld by distance (absolute or meltdown)
- Interior work light
- Optical zero force cycle activation switches
- Light Curtain for single switch activation
- Less than 80 dB in operation (continuous measurement)
- Dual external utility outlets

SPECIFICATIONS

- Table size 72" x 24" (1800mm x 610mm) (also max. tool size*)
- Table opening 58" by 12" (1470 x 305mm) with max., depth 20" (500mm) (except F/B center strip 3" (75mm) wide with depth of 1/2"**(12mm)
- Upper tool weight 110-200 pounds (50-90kg)
- Low 41" (1040mm) lift table height
- 20" (500mm) Stroke, 25" (630mm) Max daylight
- Door opening 26" high x 76" wide (660mm x 1931mm)

OPTIONS

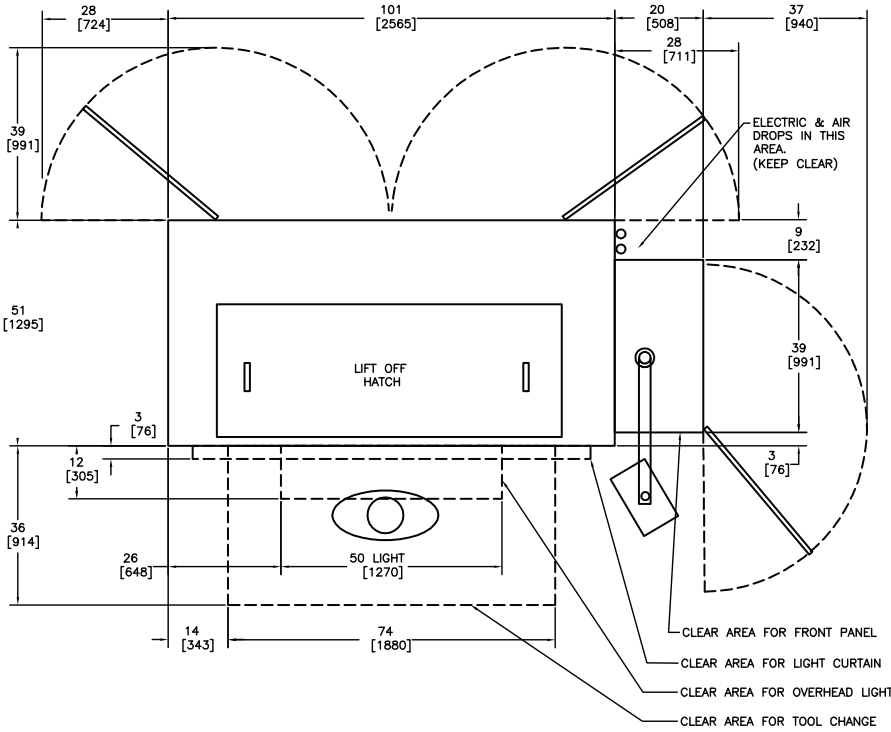
- Position adjustable cycle activation switches
- Exterior work light
- Customer-specified PLC and HMI interface (Siemens or Mitsubishi)
- Custom paint per customer specification
- Rear sliding door for pass-through operation
- Programmable pneumatic clamp or eject valves and/or programmable part-in-place sensing
- Custom quoted machines with non-standard: frame sizes, lift tables, stroke lengths, etc., using standard vibration heads available.

* Tool can in some instances overhang the back of the table by a modest amount. Consult Dukane for more information.

** Custom lift table or custom frame can be quoted to allow for an uninterrupted "bucket" of greater depth.

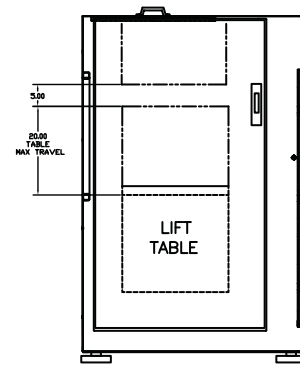
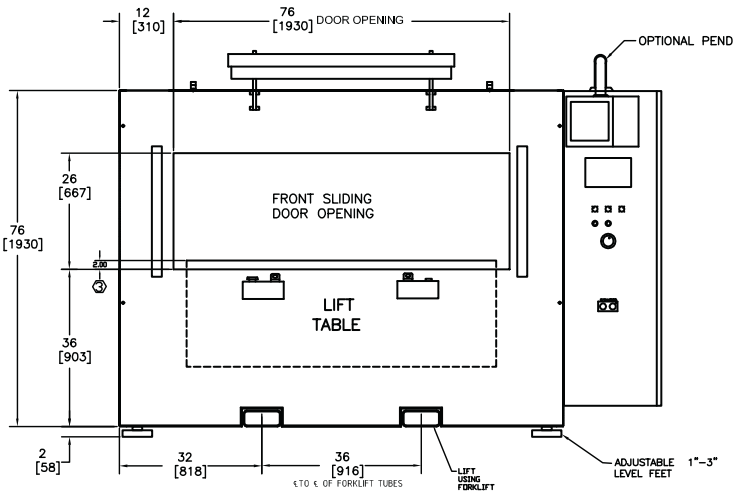
VWB4900 Vibration Welder Dimensions

Plan View



- 1) OUTLINE DRAWING SHOWS EXTERNAL DIMS. ONLY.
- 2) FRONT SLIDING DOOR RAISES TO CLOSE OFF OPENING.
- 3) LIFT TABLE LOAD HEIGHT IS PROGRAMMABLE.
- 4) POWER REQUIREMENT: 480 VAC, 3PH 60HZ 40 AMPS.
- 5) AIR REQUIREMENT: MIN 75 PSI 1 SCFM. CLEAN, DRY.
- 6) MACHINE WEIGHT: APPROX. 7,800 LBS.

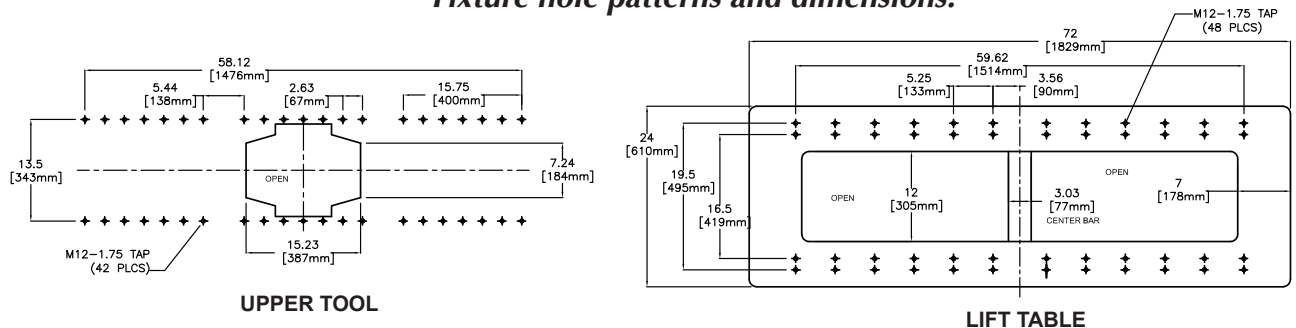
IN
mm



Right Side

Front

Fixture hole patterns and dimensions.



Electric Service Required: 480V, 3 Phase, 40 Amps (custom input voltage kits available)

Pneumatic Service Required: 75 to 90PSI (5-6 Bar)

Approximate Shipping Weight 7800 lbs, (3546 kg)