

# Vibration Welder

Table Size 52" (1320mm) by 24" (610mm)



## FEATURES

- Electromechanical vibration head assembly (200-240 Hz)
- Super rigid four rail table slide system
- One piece flame cut bridge (heaviest in class)
- Structural tubular steel table (heaviest in class)
- Solid state 65hp digital variable frequency drive
- Hydraulic lift / clamp force maximum 5000 lbs. (22,000N) 20 gallon ( 75.6L) reservoir
- Real time graphing of amplitude, force and distance
- B&R 15" color industrial computer HMI
- B&R input and output for all standard machine functions
- Intuitive and interactive comprehensive help menu
- Part parameter monitoring with programmable limits
- Programming for up to 6 part in place sensors included (sensors not included)
- Programming for up to 6 pneumatic valves included (valves not included) with 6 extend & 6 retract sensors
- Programming for 2 vacuums (vacuum generator and valve not included)
- Programming for tool ID included.
- Multilingual capabilities (English, Spanish, German, Japanese, Chinese, French, Czech)
- Automatic tuning with auto ping mode
- Programmable amplitude 0.020" to 0.070" (.05 to 1.8 mm)
- Weld by time or weld by distance
- Programmable Amplitude and Pressure profile up to 5 steps
- Interior work light

- Optical zero force cycle start activation switches
- Light curtain for single switch activation

## SPECIFICATIONS

- Table and maximum lower tool size 52" x 24" (1320 x 610 mm)\*
- Door Opening 26" high x 55" wide (660 x 1400 mm)
- Upper tool weight 90 – 150 lbs. (40 - 68 kg)
- Upper tool maximum size 20" x 44" (510 x 1120 mm)
- Low 41" (1040 mm) lift table height
- 20" (500mm) stroke, 25" (630mm) max. opening
- Small 51" x 101" (1.3 x 2.6 m) foot print
- 80 dB maximum in operation (continuous measurement)

## OPTIONS

- Position adjustable cycle activation switches
- Exterior work light
- Optional PLC for custom functions (will not run standard machine operation)
- Custom paint specification
- Rear sliding door for pass through operation
- Programmable pneumatic valves for clamps and slides
- Programmable part-in-place sensing.

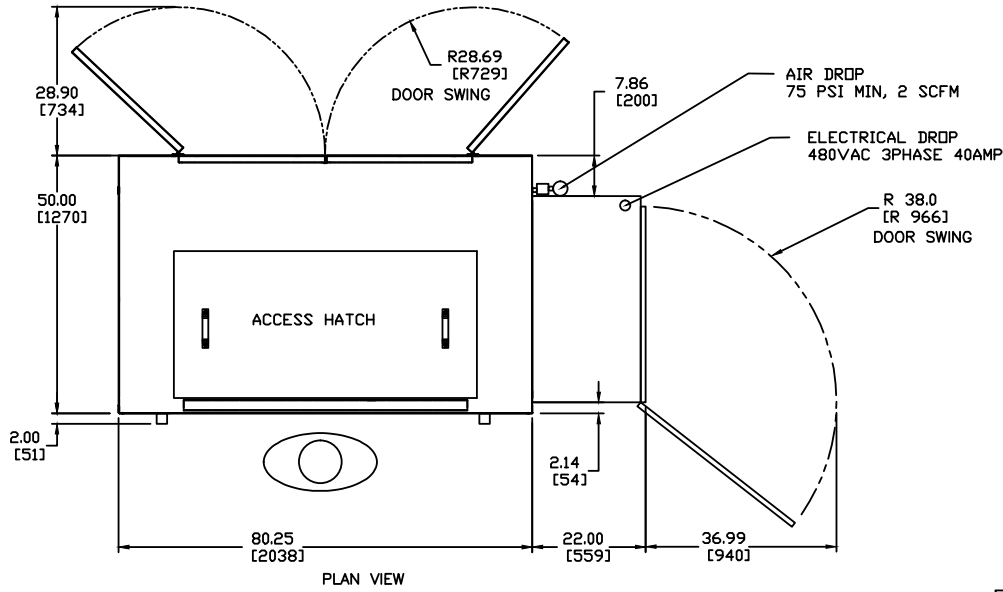
\* Tooling can in some instances overhang the back of the table by a modest amount. Consult Dukane for more information.

\*\* Custom lift table or custom frame can be quoted to allow for an uninterrupted bucket of greater depth.

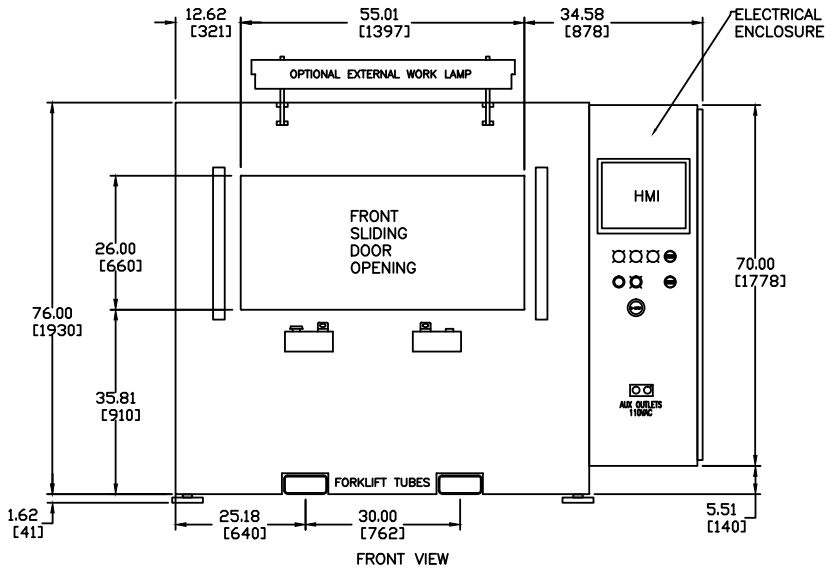
# Vibration Welder Model VW5700 Floor Layout

## VW5700

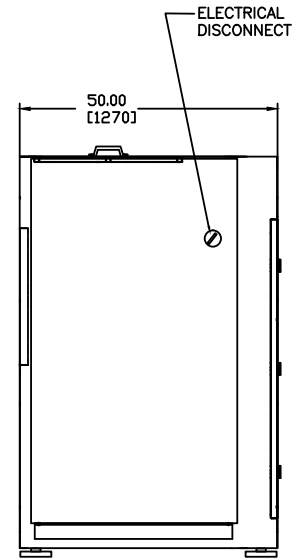
7000 LBS



PLAN VIEW

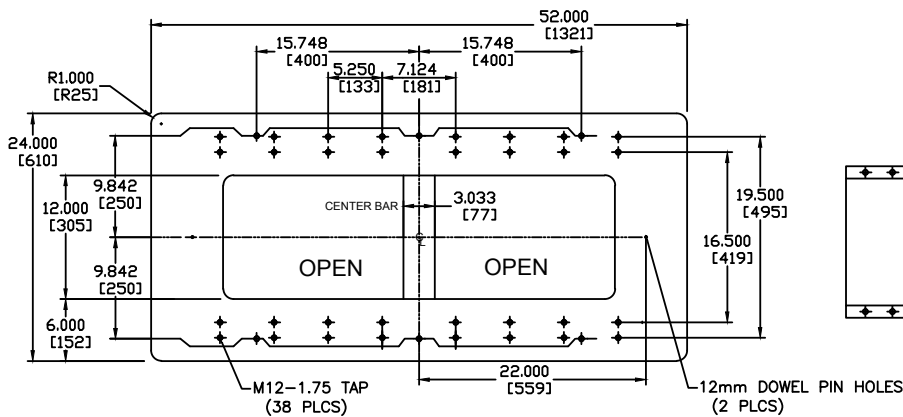


FRONT VIEW

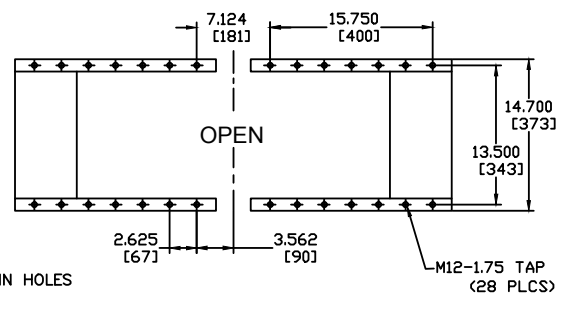


RIGHT SIDE

### Fixture hole patterns and dimensions



LIFT TABLE



UPPER TOOLING

Note: All specifications are subject to change without notice. Please consult Dukane Ultrasonics for any updated information.



#14-0062-00