

The **HP** and **PG series** hand probes feature an ergonomically friendly soft grip design with hangers for use on counter-balanced devices. Robust resonant mount is designed for years of trouble-free operation. Fittings for air-cooling come standard on all units. These probes are perfect for manual spot welding, staking, cutting and inserting applications.

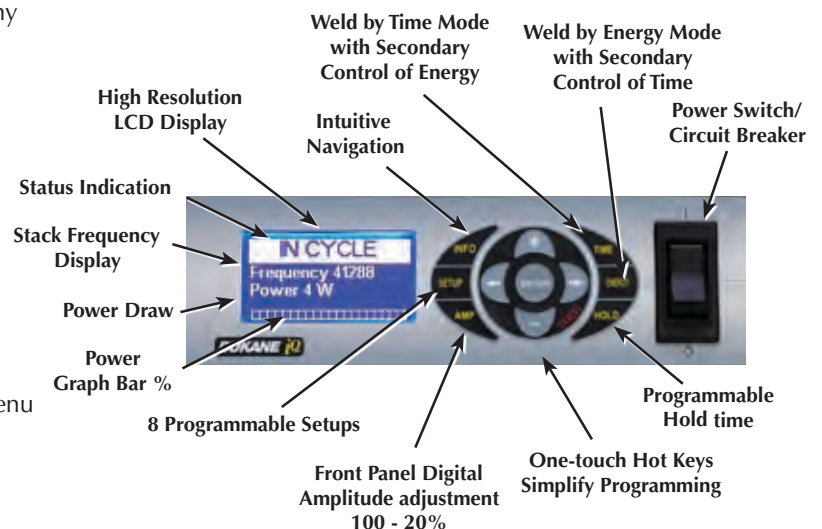
The **iQ** series HP generators come standard with time and energy control along with patented trigger by power. The display is a high-resolution graphic two color LCD with large easy-to-read text. One-touch hot keys along with an intuitive menu structure make programming and operation virtually effortless. Built-in circuit protection and visual fault status ensure reliability even in the toughest work environments. The compact size and built-in handle allow for portability.

FEATURES

- **Soft grip lightweight** ergonomically friendly hand probes.
- **Trigger by Power** patented feature provides ability to accurately start the weld process once a programmed force is achieved. Coupled with weld by energy, this unit delivers the highest level of process repeatability of any hand probe system available today.
- **Time, energy and continuous** duty weld modes with process limits.
- **Amplitude adjustment** in 1% increments from 100% to 20%
- **Audible end of cycle** notification alerts operator cycle is complete.
- **Latch on fault** with visual and audible alarm menu selectable.
- **Power bar** graph with last cycle memory.
- **High-resolution graphic LCD** displays with intuitive menu structure for quick, easy programming.
- **Real time** in cycle menu displays frequency, power and time.
- **100% digital controls** of all power supply functions and parameters.
- **Digi-Trac** tuning automatically tracks the resonant frequency digitally. It adjusts the output frequency to match the hand held device. This is done for every weld cycle and eliminates the need to manually tune the generator.



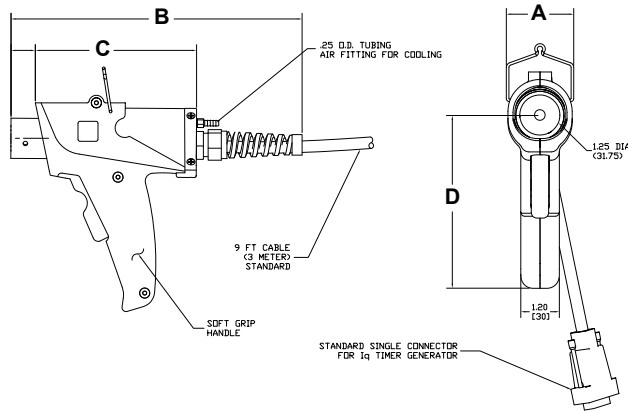
Frequencies 20, 30 & 40kHz
Power 600 watts



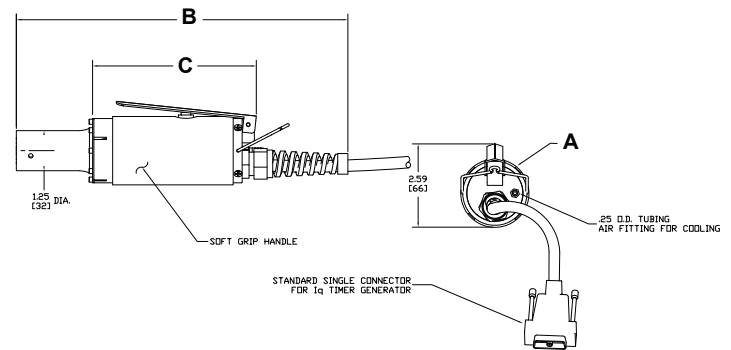
Features continued

- **Ultrasonic overload protection**, with fault indication for ease of troubleshooting. The overload power limit is based on **true RMS power output level**.
- **Patented pulse-width modulation** design delivers power more efficiently with substantially less stress on electrical components for superior performance, reliability and extended life.
- **Linear ramp soft-start** algorithm allows the acoustic stack to be brought to operating amplitude smoothly, minimizing start-up surges and abnormal stress to the stack and power supply.
- **Line voltage regulation** compensates for line fluctuations assuring consistent amplitude.
- **Load regulation** provides constant ultrasound amplitude automatically regardless of power draw. The ultrasonic output amplitude level is held to within 1% to provide weld process consistency.
- **Eight programmable setups**.
- **Highest power density** per unit volume. Most power in the smallest package at highest duty cycle.
- **.5 ms sampling rate**, fastest in the industry.
- Optional extra loud status alarm buzzer

Pistol

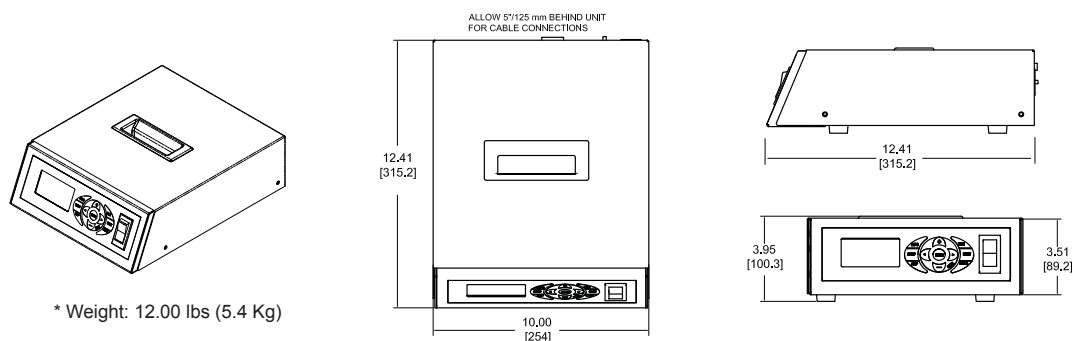


Hand Probe



| System Model | Generator Part # | Probe Part # | Line Voltage | Freq. kHz | Wattage | Probe Weight | A Dia | B Length Including Strain Relief | C Body Length | D Handle Length | Probe Cable Length |
|--------------|------------------|--------------|--------------------------|-----------|---------|-----------------------|-----------|----------------------------------|---------------|-----------------|--------------------|
| HP 4.61-P | 40HP060-1E | 41PG40S | 100-120 VAC 50/60 Hz | 40 | 600 W | 1.65 lbs. (.75 kg) | 2.10 (53) | 7.75 (197) | 5.02 (129) | 5.38 (137) | 9 ft (3 m) |
| HP 4.61-H | 40HP060-1E | 41HP40S | 100-120 VAC 50/60 Hz | 40 | 600 W | 1.35 lbs. (.61 kg) | 1.90 (48) | 7.75 (197) | 4.80 (122) | | 9 ft (3 m) |
| HP 4.62-P | 40HP060-2E | 41PG40S | 200-240 VAC, 50/60 Hz | 40 | 600 W | 1.65 lbs. (.75 kg) | 2.10 (53) | 7.75 (197) | 5.02 (129) | 5.38 (137) | 9 ft (3 m) |
| HP 4.62-H | 40HP060-2E | 41HP40S | 200-240 VAC, 50/60 Hz | 40 | 600 W | 1.35 lbs. (.61 kg) | 1.90 (48) | 7.75 (197) | 4.80 (122) | | 9 ft (3 m) |
| HP 3.61-H | 30HP060-1E | 41HP30S | 100-120 VAC 50/60 Hz | 30 | 600 W | 1.40 lbs. (.64 kg) | 1.90 (48) | 9.00 (229) | 5.10 (130) | | 9 ft (3 m) |
| HP 3.62-H | 30HP060-2E | 41HP30S | 200-240 VAC, 50/60 Hz | 30 | 600 W | 1.40 lbs. (.64 kg) | 1.90 (48) | 9.00 (229) | 5.10 (130) | | 9 ft (3 m) |
| HP 2.61-P | 20HP060-1E | 41PG20S | 100-120 VAC 50/60 Hz | 20 | 600 W | 1.80 lbs. (.82 kg) | 1.90 (48) | 8.75 (222) | 5.10 (130) | 5.38 (137) | 9 ft (3 m) |
| HP 2.61-H | 20HP060-1E | 41HP20S | 100-120 VAC 50/60 Hz | 20 | 600 W | 1.60 lbs. (.73 kg) | 1.90 (48) | 10.00 (254) | 5.02 (129) | | 9 ft (3 m) |
| HP 2.62-P | 20HP060-2E | 41PG20S | 200-240 VAC, 50/60 Hz | 20 | 600 W | 1.80 lbs. (.82 kg) | 1.90 (48) | 8.75 (222) | 5.10 (130) | 5.38 (137) | 9 ft (3 m) |
| HP 2.62-H | 20HP060-2E | 41HP20S | 200-240 VAC, 50/60 Hz | 20 | 600 W | 1.60 lbs. (.73 kg) | 1.90 (48) | 10.00 (254) | 5.02 (129) | | 9 ft (3 m) |

Generator: 40HP60-1E



#08-0013-02

Note: All specifications are subject to change without notice. Please consult Dukane Ultrasonics for any updated information.

DUKANE
ISO 9001

www.dukane.com/ISO-Cert.pdf

